

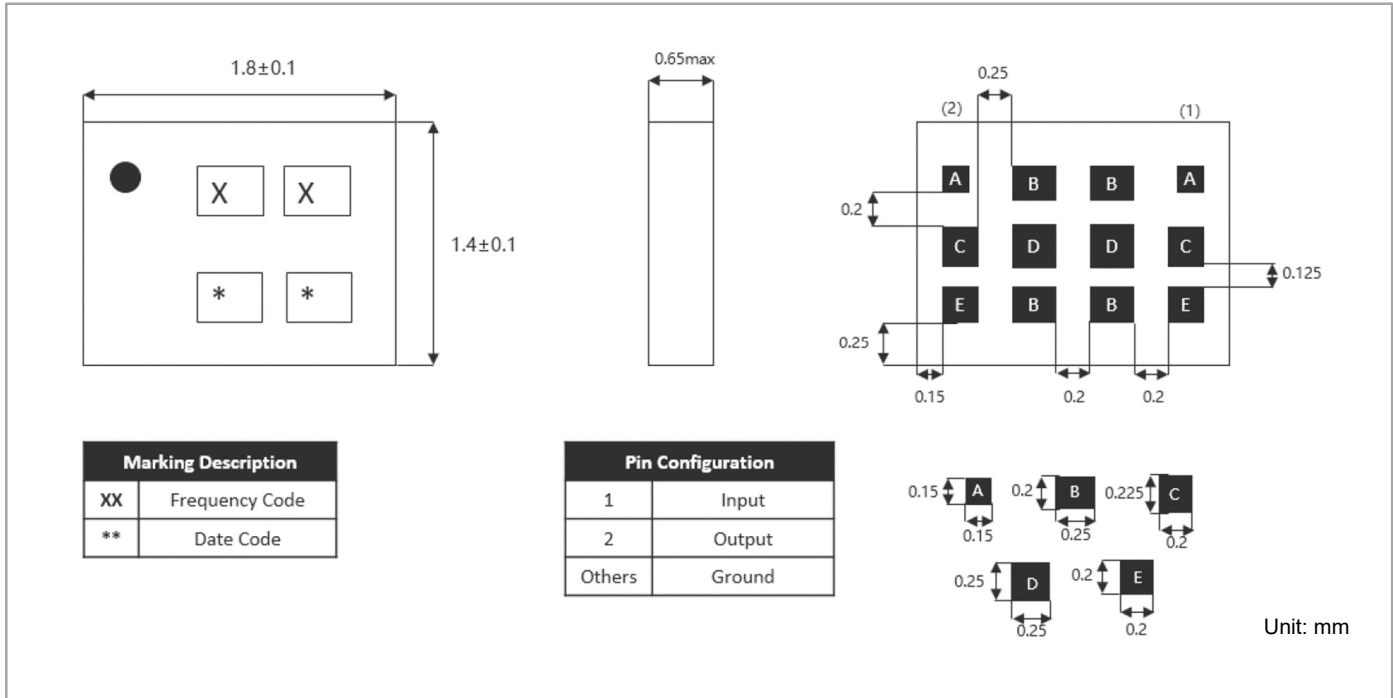
- High Out of Band Rejection
- Wireless Routers
- Residential Gateways

Electrical Characteristics

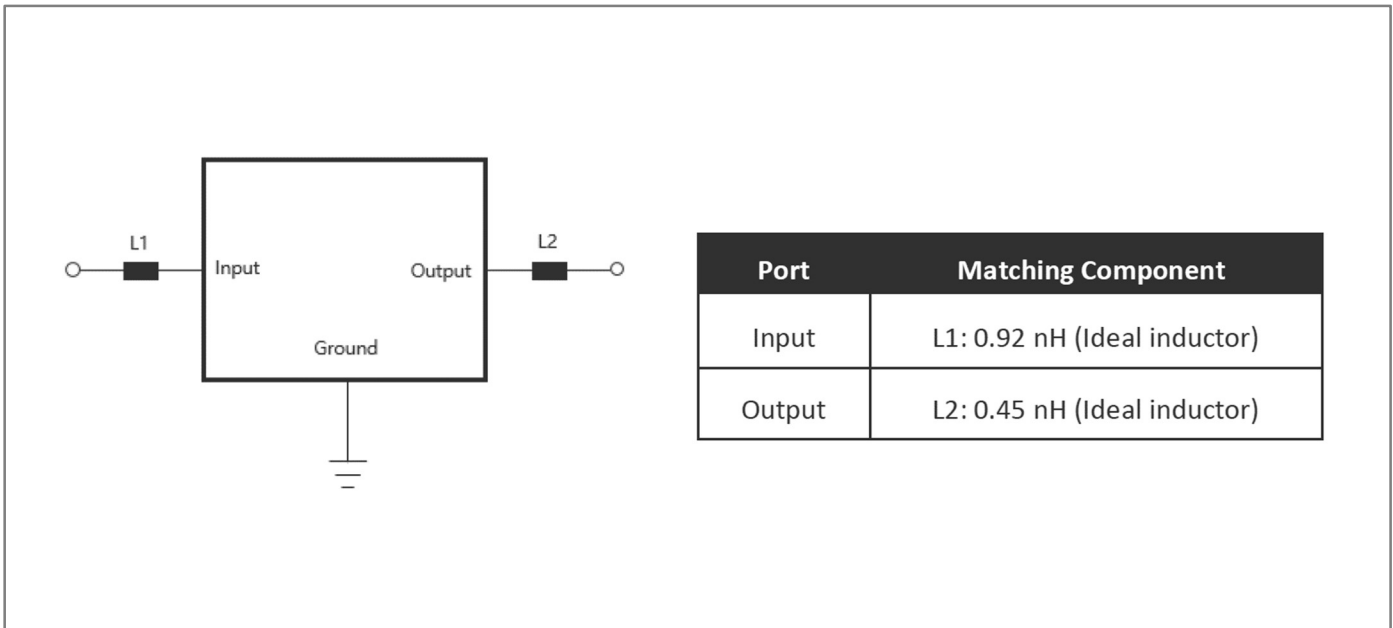
MAXIMUM RATING				
PARAMETERS DESCRIPTION	UNIT	MINIMUM	TYPICAL	MAXIMUM
Operating Temperature Range	°C	-20	-	+95
Storage Temperature Range	°C	-20	-	+95
DC Voltage	V	-	-	3
Input Power (2000h)	dBm	-	-	28
Source Impedance	Ω	-	50	-
Load Impedance	Ω	-	50	-
Package type & size	U			
Length x Width	mm ²	-	1.8 x 1.4	1.9 x 1.5
Height	mm	-	-	0.65
Moisture Sensitivity Levels			3	

ELECTRICAL SPECIFICATION @25°C				
PARAMETERS DESCRIPTION	UNIT	MINIMUM	TYPICAL	MAXIMUM
Center Frequency (Fo)	MHz	-	5250.0	-
Insertion Loss within 5170.00 ~ 5330.00 MHz	dB	-	1.3	1.7
Inband Ripple within 5170.00 ~ 5330.00 MHz	dB	-	0.4	0.8
Absolute Attenuation:				
30.00 ~ 2400.00 MHz	dB	30	37	-
2400.00 ~ 2500.00 MHz	dB	30	37	-
2400.00 ~ 3000.00 MHz	dB	30	34	-
3400.00 ~ 3800.00 MHz	dB	30	37	-
3800.00 ~ 4900.00 MHz	dB	30	37	-
5490.00 ~ 5850.00 MHz	dB	60	65	-
7203.00 ~ 7500.00 MHz	dB	20	25	-
10300.00 ~ 11800.00 MHz	dB	17	22	-
Input VSWR within 5170.00 ~ 5330.00 MHz	dB	-	1.3	1.7
Output VSWR within 5170.00 ~ 5330.00 MHz	dB	-	1.3	1.7

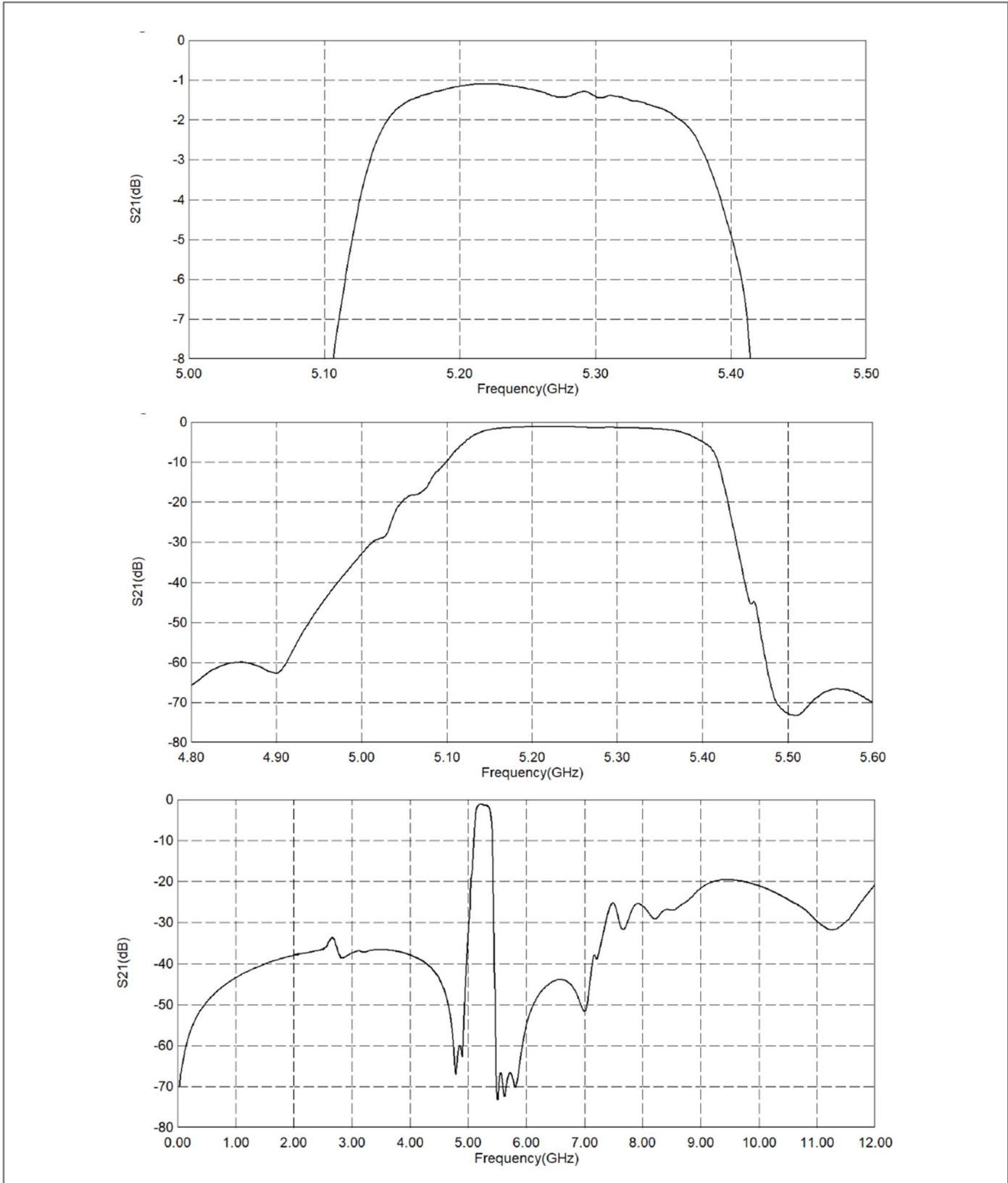
Package Dimensions

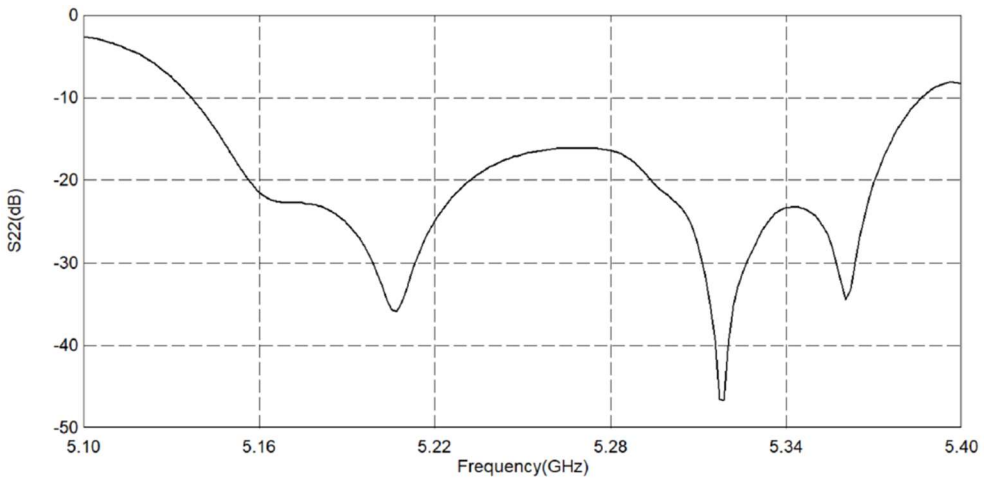
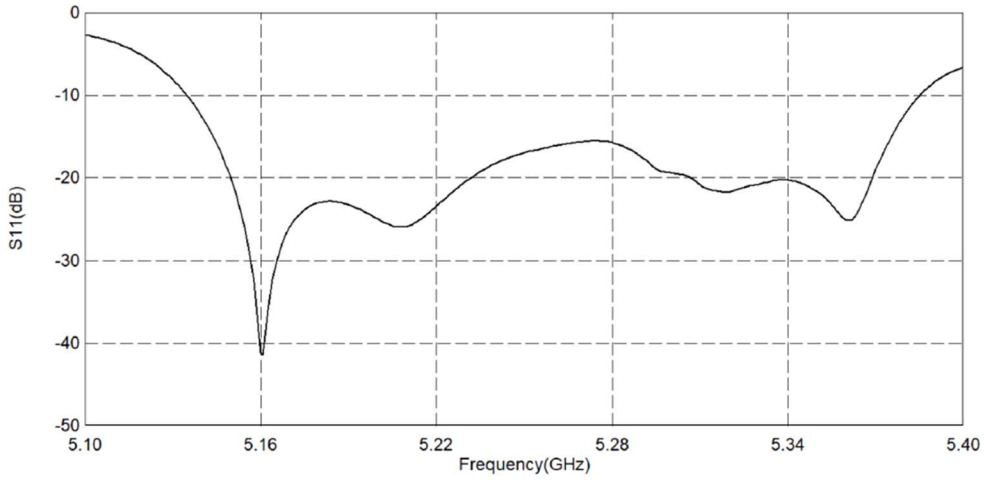


Testing Environment



Frequency Characteristics





Input Smith Chart
(5170MHz to 5330MHz)

Output Smith Chart
(5170MHz to 5330MHz)

